



US00D514224S

(12) **United States Design Patent**  
**Fried**

(10) **Patent No.:** **US D514,224 S**

(45) **Date of Patent:** **\*\* Jan. 31, 2006**

(54) **ARM SLING**

(76) **Inventor:** **Scott Fried**, P.O. Box 186, 209  
Cathcart Rd., Gwynedd, PA (US) 19437

(\*\*) **Term:** **14 Years**

(21) **Appl. No.:** **29/201,751**

(22) **Filed:** **Mar. 19, 2004**

**Related U.S. Application Data**

(63) Continuation-in-part of application No. 10/641,896, filed on Aug. 15, 2003.

(51) **LOC (8) Cl.** ..... **24-04**

(52) **U.S. Cl.** ..... **D24/190**

(58) **Field of Classification Search** ..... D24/190;  
D3/224-226, 221; 602/20, 21, 4; 224/158,  
224/159, 625

See application file for complete search history.

(56) **References Cited**

**U.S. PATENT DOCUMENTS**

3,256,880 A	6/1966	Caypinar	
3,745,998 A	7/1973	Rose	
4,211,219 A	7/1980	Alvey	
4,751,923 A *	6/1988	Marino	602/4
D311,453 S *	10/1990	Rice	D3/226
5,241,771 A	9/1993	Caustic	
5,292,042 A	3/1994	Yamaguchi et al.	
D350,025 S *	8/1994	Rolle	D3/226
5,423,333 A	6/1995	Jensen et al.	
D365,636 S *	12/1995	Kilbey	D24/190
5,492,256 A	2/1996	Ive	
D372,099 S *	7/1996	Troy et al.	D24/190
5,569,172 A	10/1996	Padden et al.	
5,657,912 A	8/1997	Nakayama	
5,665,058 A *	9/1997	Young	602/20

5,711,466 A	1/1998	Kataoka et al.	
5,830,165 A *	11/1998	Rowe et al.	602/4
D408,628 S	4/1999	Fusco	
D408,989 S *	5/1999	Miller et al.	D3/226
D419,291 S	1/2000	Pugh	

**OTHER PUBLICATIONS**

Zimmer Catalogue, General Medical/Surgical Products, 1987, p. L9, 2675 Zimfoam Shoulder Abduction Positioner.\*

\* cited by examiner

*Primary Examiner*—Ian Simmons

*Assistant Examiner*—Daniel Yu

(74) *Attorney, Agent, or Firm*—Garcia-Zamor IP Law; Ruy M. Garcia-Zamor

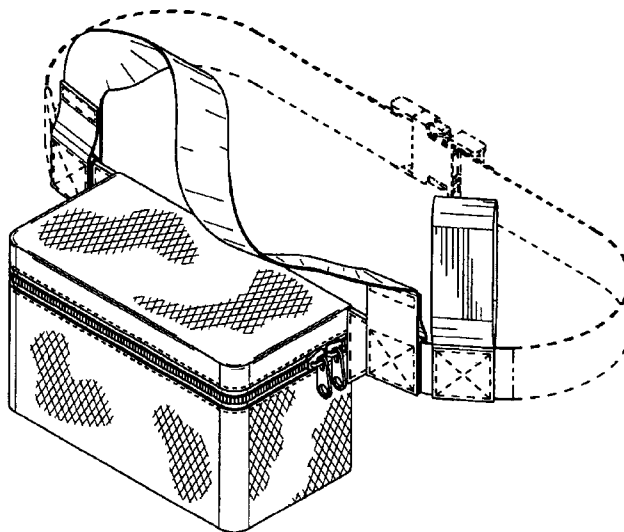
(57) **CLAIM**

I claim the ornamental design for an arm sling, as shown and described.

**DESCRIPTION**

FIG. 1 is a perspective view of an arm sling according to a first preferred embodiment of my new design; FIG. 2 is a front elevational view of the arm sling of FIG. 1; FIG. 3 is a right side elevational view of the arm sling of FIG. 1; FIG. 4 is a left side elevational view of the arm sling of FIG. 1; FIG. 5 is a rear elevational view of the arm sling of FIG. 1; FIG. 6 is a top plan view of the arm sling of FIG. 1; and, FIG. 7 is a bottom plan view of the arm sling of FIG. 1. The dashed lines in FIGS. 1-7 represent environment and are for illustrative purposes only and do not constitute part of the claimed design. The phantom lines in FIGS. 1-7 define the border between claimed and unclaimed matter.

**1 Claim, 3 Drawing Sheets**



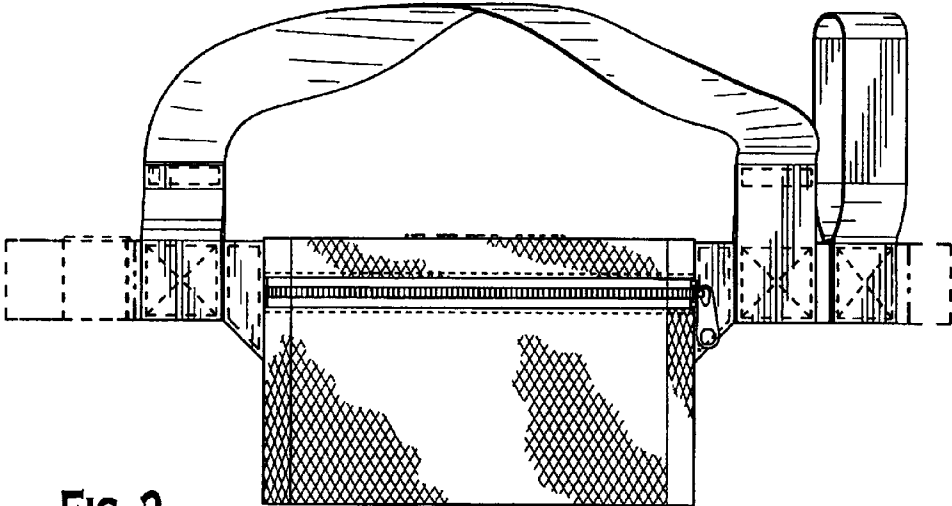
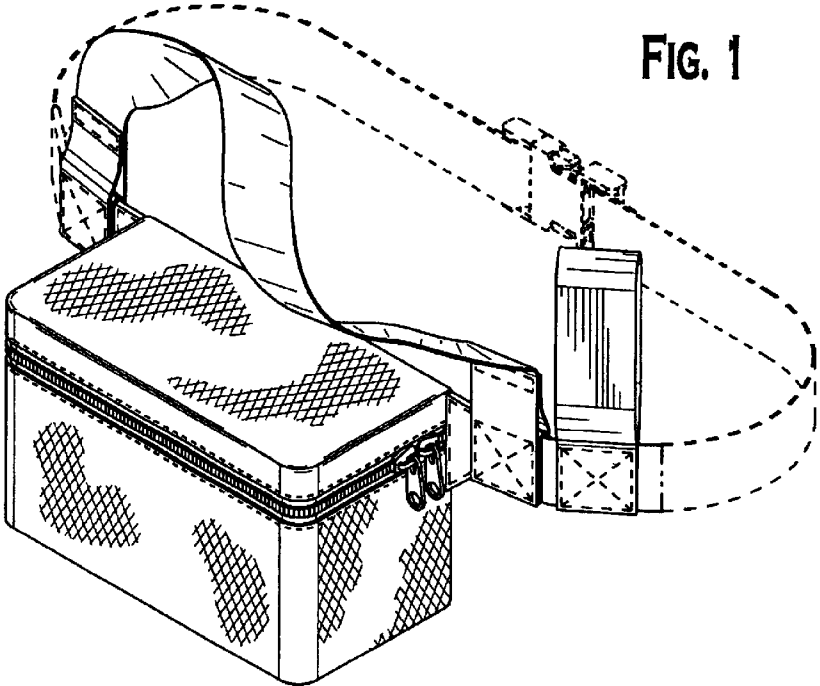


FIG. 2

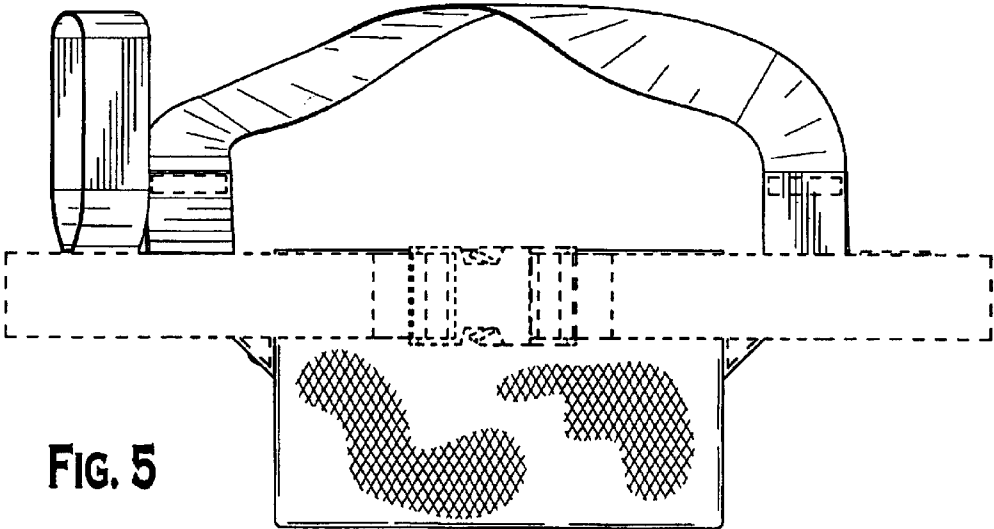
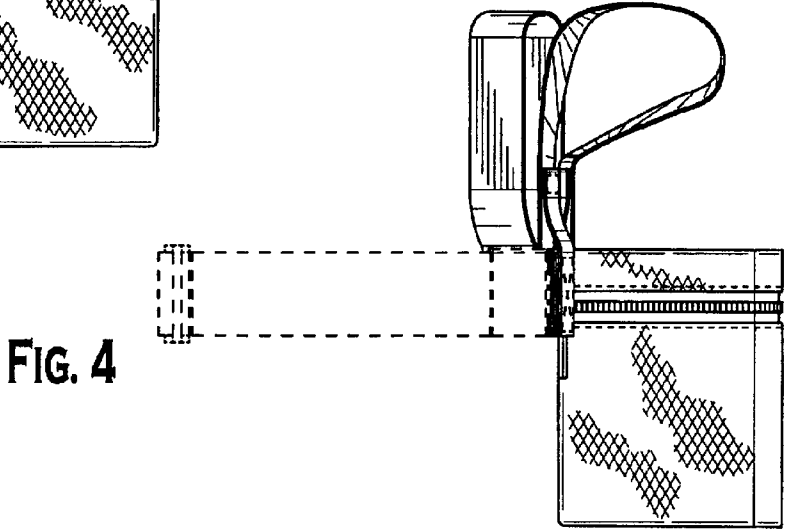
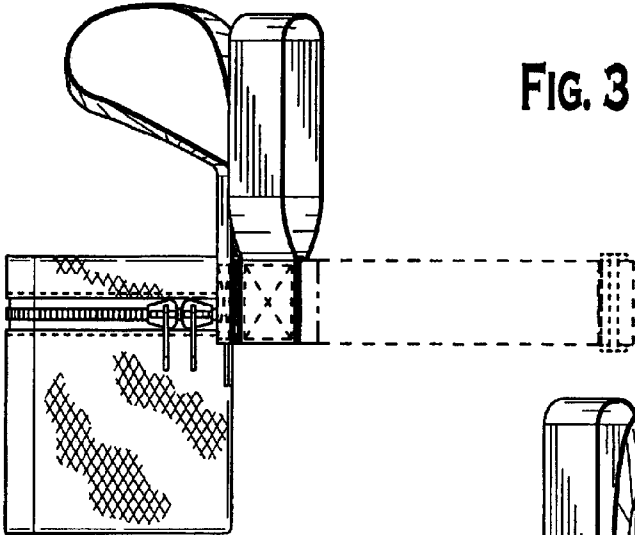


FIG. 6

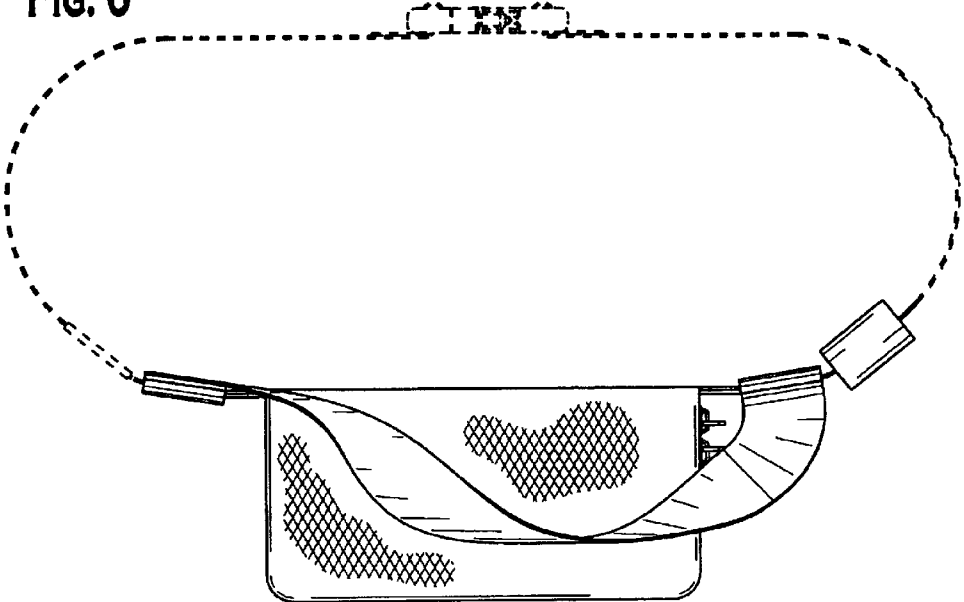


FIG. 7

