



US006938436B2

(12) **United States Patent**
Roth et al.

(10) **Patent No.:** **US 6,938,436 B2**
(45) **Date of Patent:** ***Sep. 6, 2005**

(54) **THERMAL ENERGY STORAGE SYSTEM**

(76) Inventors: **Henry Roth**, 42 Tremont St., Duxbury, MA (US) 02332; **Donna Roth**, 42 Tremont St., Duxbury, MA (US) 02332

(*) Notice: Subject to any disclaimer, the term of this patent is extended or adjusted under 35 U.S.C. 154(b) by 0 days.

This patent is subject to a terminal disclaimer.

(21) Appl. No.: **10/886,734**

(22) Filed: **Jul. 8, 2004**

(65) **Prior Publication Data**

US 2004/0250566 A1 Dec. 16, 2004

Related U.S. Application Data

(63) Continuation of application No. 10/361,655, filed on Feb. 10, 2003, now Pat. No. 6,761,041, which is a continuation-in-part of application No. 10/236,266, filed on Sep. 6, 2002, now Pat. No. 6,601,403.

(51) **Int. Cl.**⁷ **F25D 3/08**; F17C 13/00

(52) **U.S. Cl.** **62/457.2**; 62/530; 62/371; 62/457.6; 62/457.7

(58) **Field of Search** 62/457.2, 530, 62/371, 457.6, 457.7

(56) **References Cited**

U.S. PATENT DOCUMENTS

- 1,551,709 A 9/1925 Stoll
- 1,571,438 A 2/1926 Schopf
- 2,024,648 A 12/1935 Kissling
- 3,413,820 A 12/1968 Paquin
- 3,710,589 A 1/1973 Brown et al.
- 4,024,731 A 5/1977 Branscum
- 4,065,336 A * 12/1977 Conklin 156/69

- 4,249,392 A 2/1981 Hotta
- 4,498,312 A 2/1985 Schlosser
- 4,570,454 A 2/1986 Campbell
- 5,050,387 A 9/1991 Bruce
- 5,088,301 A 2/1992 Piepenbrink
- 5,177,981 A 1/1993 Haas
- 5,231,850 A 8/1993 Morris
- 5,235,819 A 8/1993 Bruce
- 5,329,778 A * 7/1994 Padamsee 62/56
- 5,345,784 A 9/1994 Bazemore et al.
- D360,105 S 7/1995 Doxey
- 5,520,014 A 5/1996 Laugier
- 5,568,735 A 10/1996 Newkirk et al.
- 5,701,757 A 12/1997 Heverly
- 5,711,164 A 1/1998 Slack
- D411,741 S 6/1999 Wilson et al.
- 5,992,679 A 11/1999 Porchia et al.
- D420,252 S 2/2000 Loew et al.
- 6,044,650 A 4/2000 Cook et al.
- 6,109,059 A 8/2000 Lebrun
- 6,318,114 B1 11/2001 Slaughter
- 6,557,368 B1 5/2003 DeMars
- 6,601,403 B1 * 8/2003 Roth et al. 62/457.2
- 6,761,041 B2 * 7/2004 Roth et al. 62/457.2

* cited by examiner

Primary Examiner—William C. Doerrler
(74) *Attorney, Agent, or Firm*—Garcia-Zamor IP Law; Ruy M. Garcia-Zamor

(57) **ABSTRACT**

A thermal energy storage container which includes a first panel having a container attachment element located around a periphery thereof. The container attachment element is adapted to engage a complementary lid attachment element. The thermal energy storage container includes a container compartment adapted to store a thermal energy storage material. A thermal energy storage lid which includes a lid attachment element located around a periphery thereof. The lid attachment element is adapted to engage a complementary container attachment element.

19 Claims, 11 Drawing Sheets

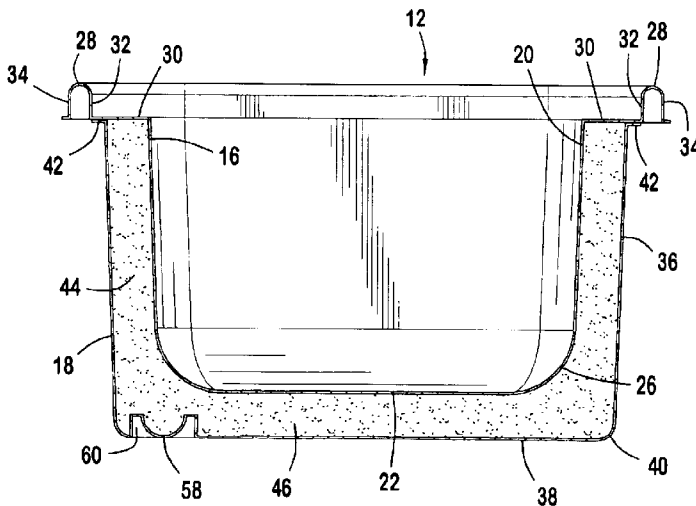


FIG. 1

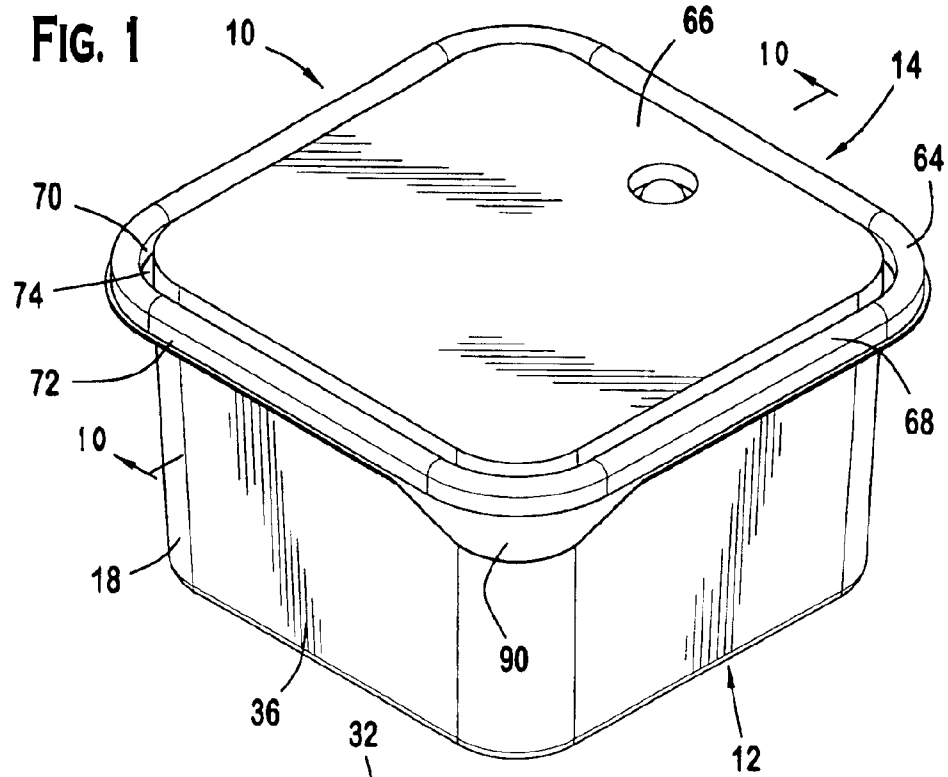


FIG. 2

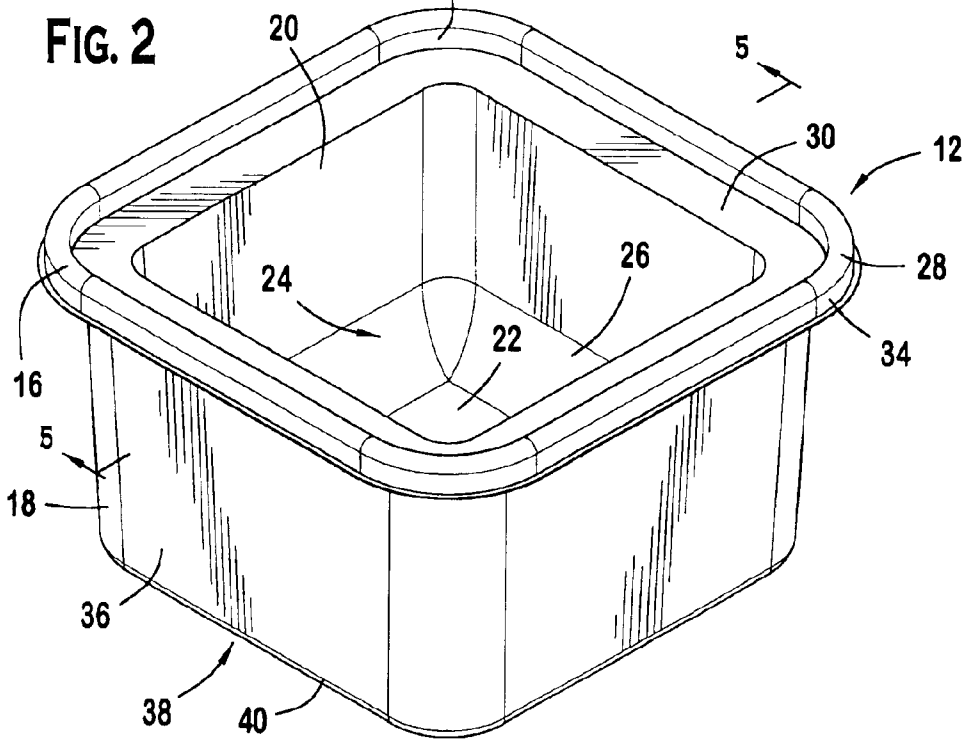


FIG. 3

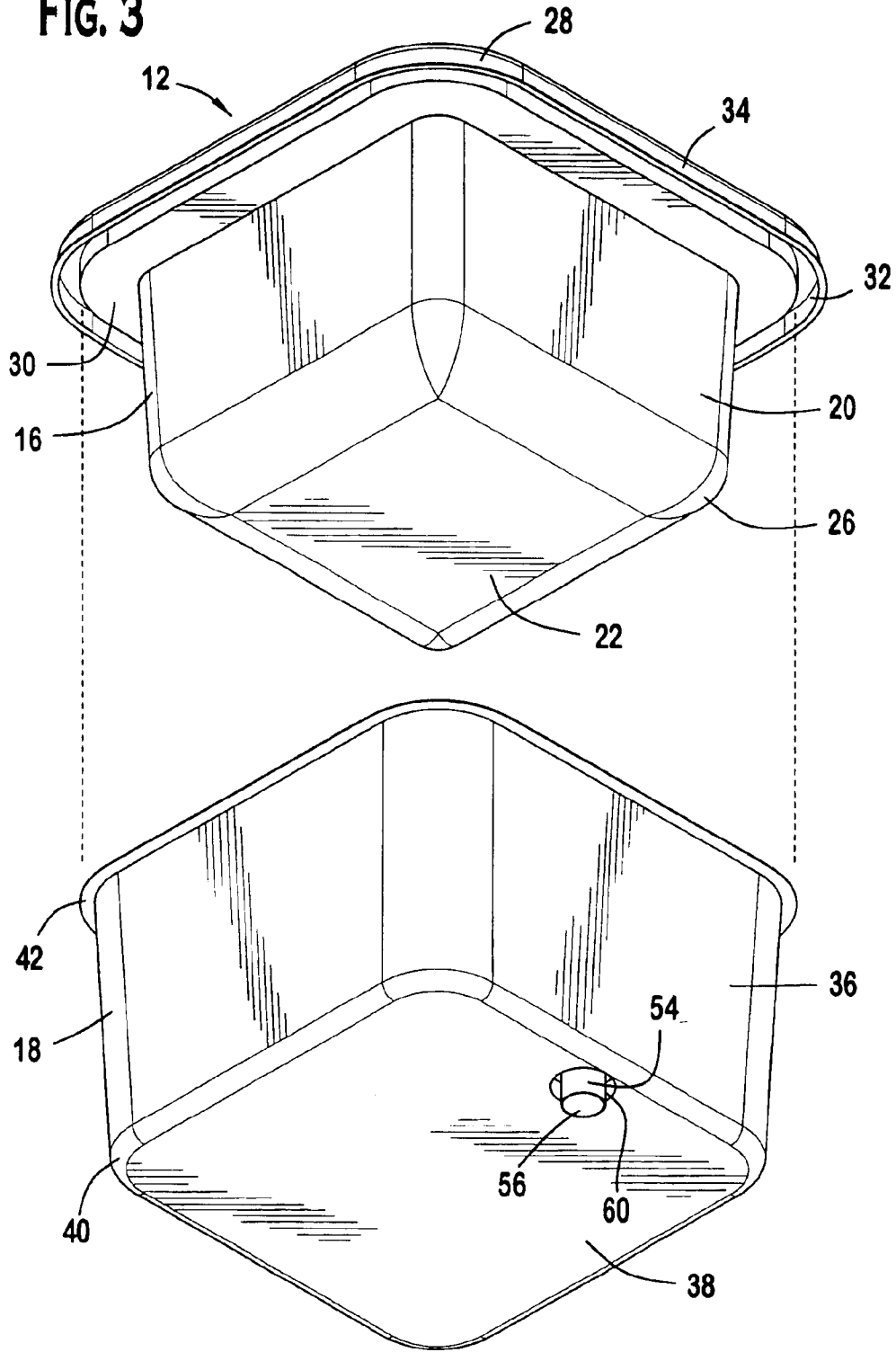


FIG. 4

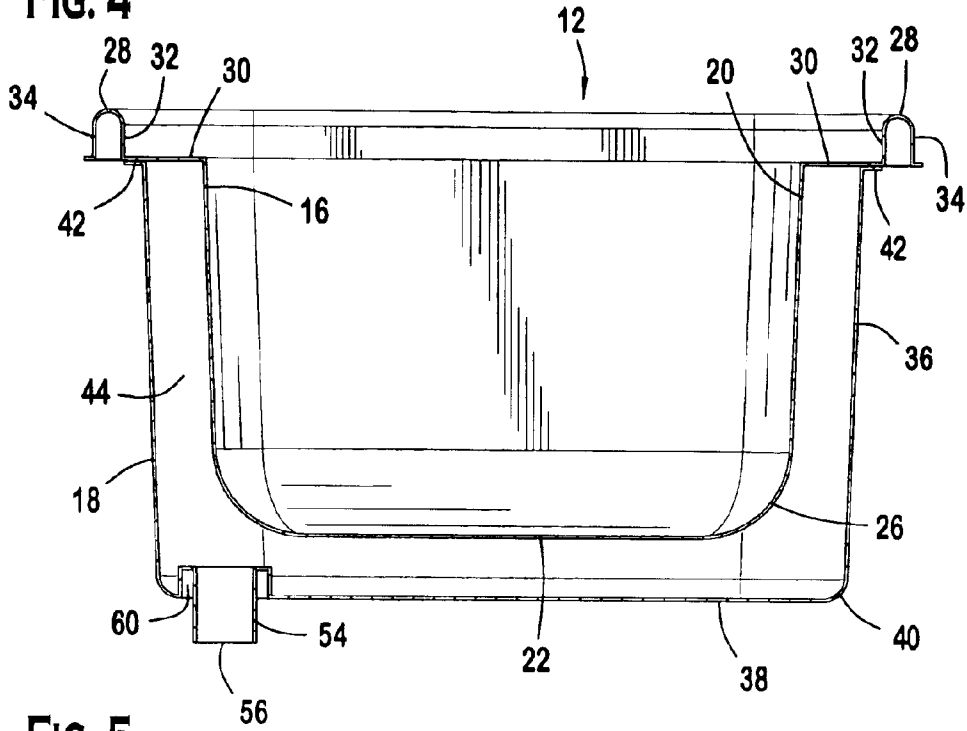


FIG. 5

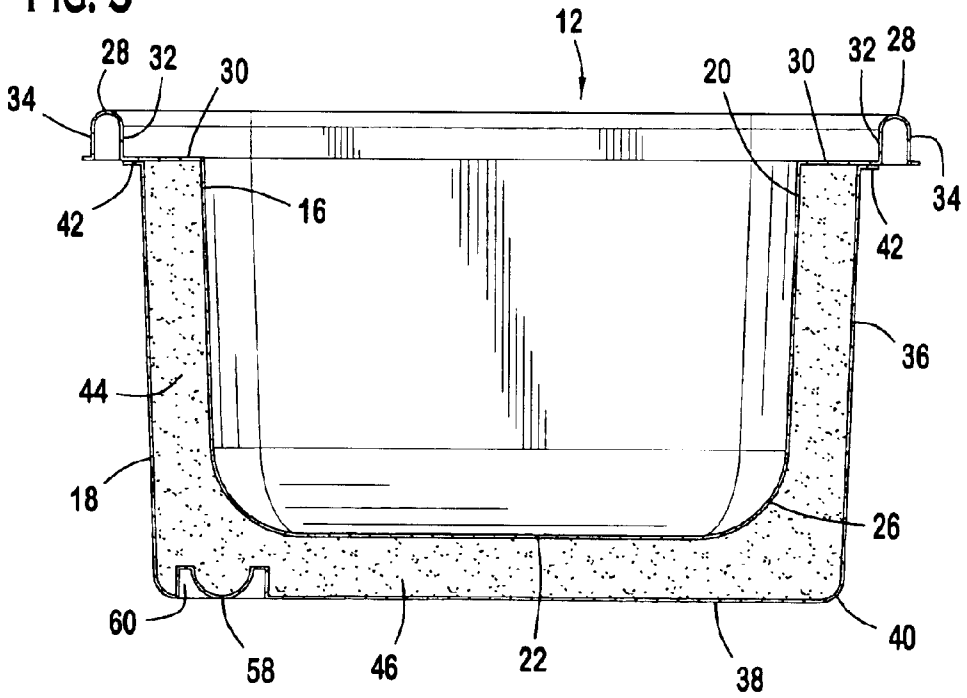


FIG. 6

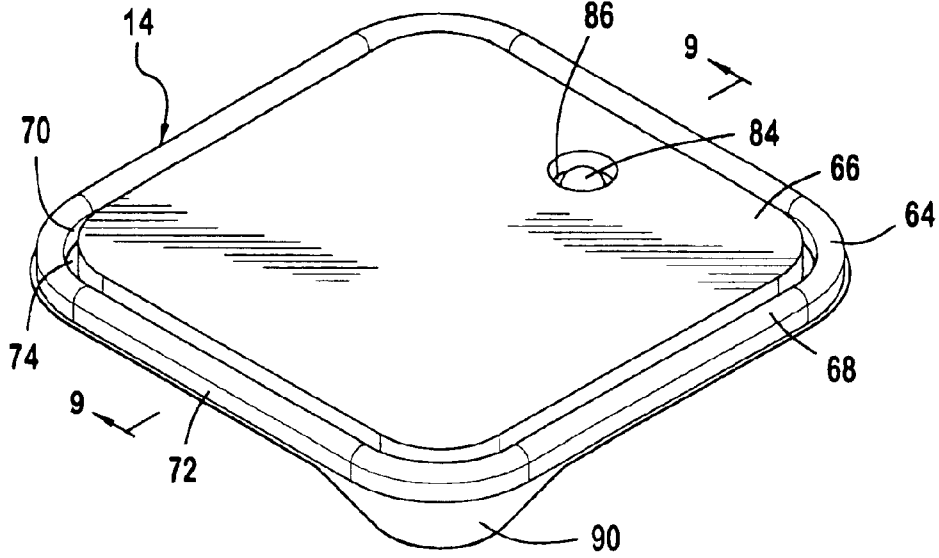
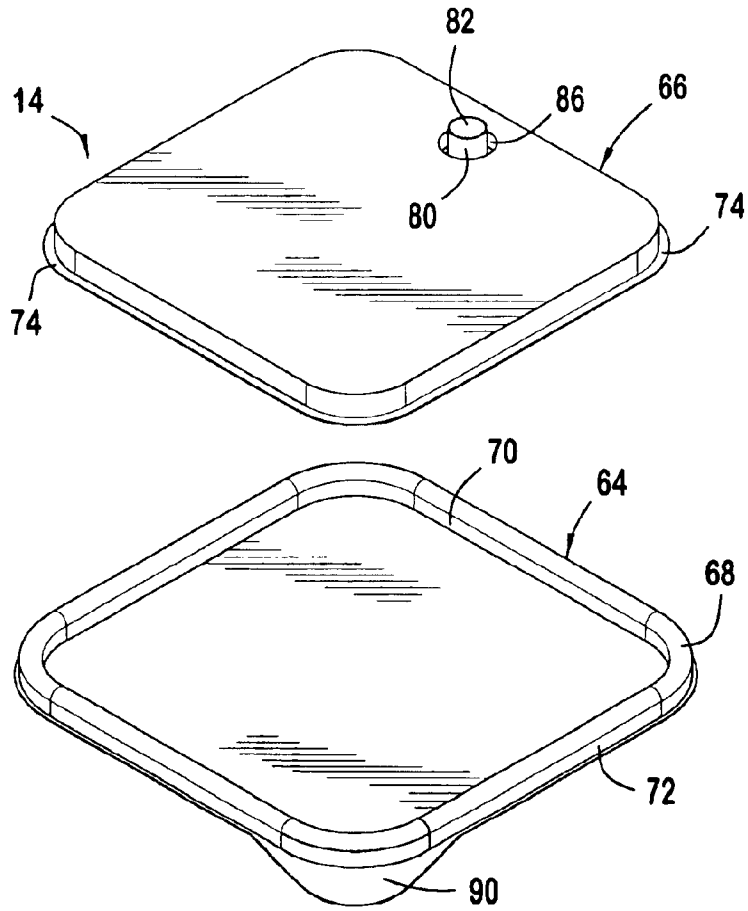


FIG. 7



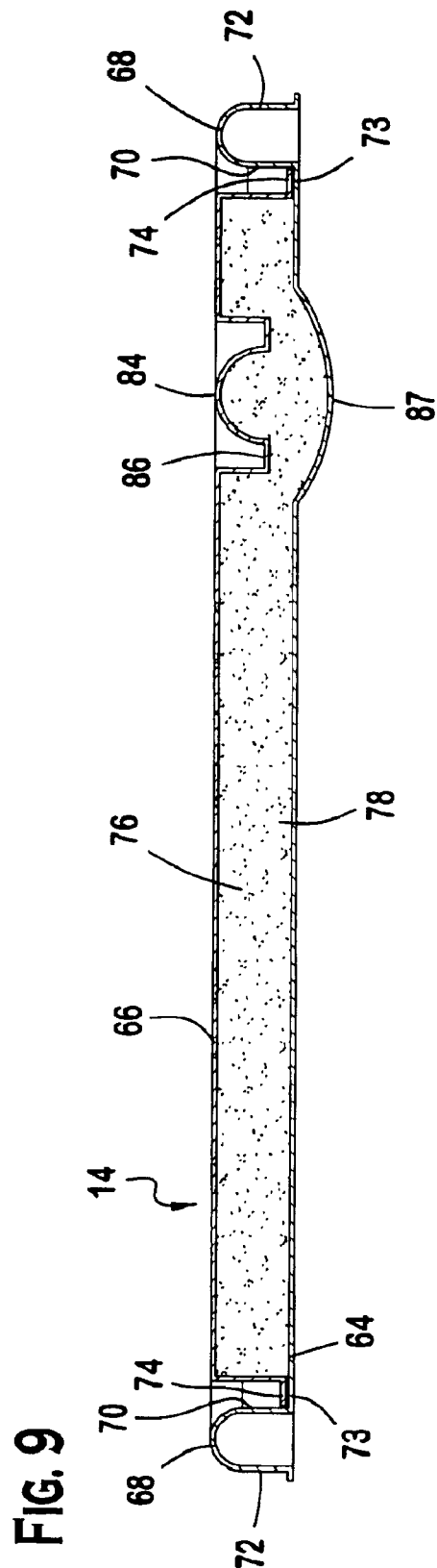
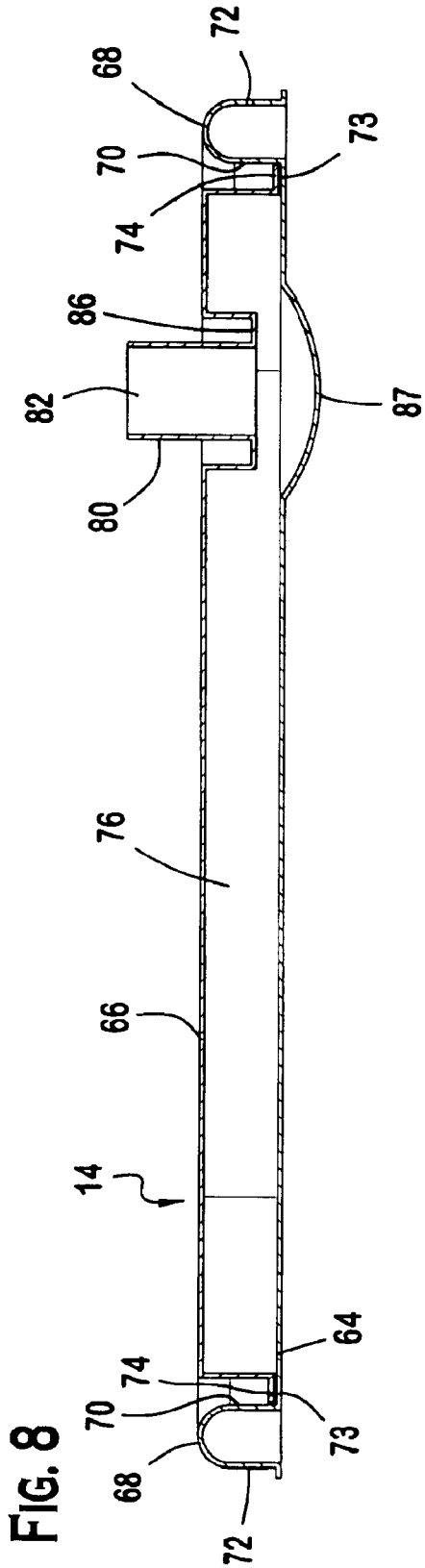


FIG. 10

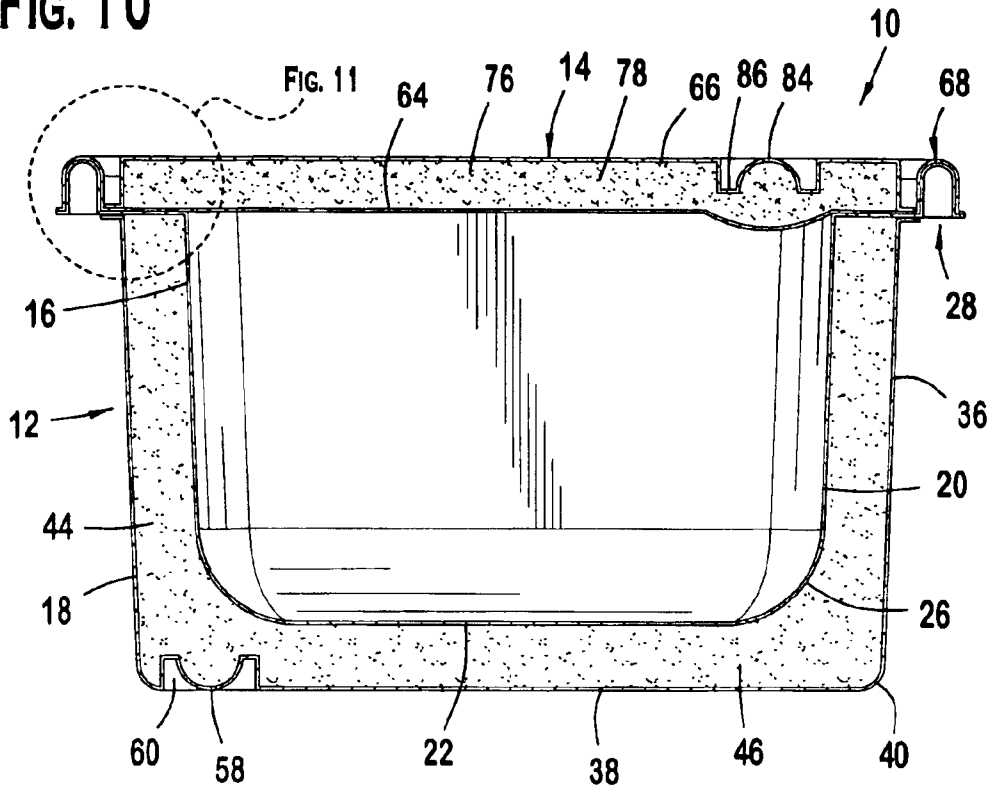
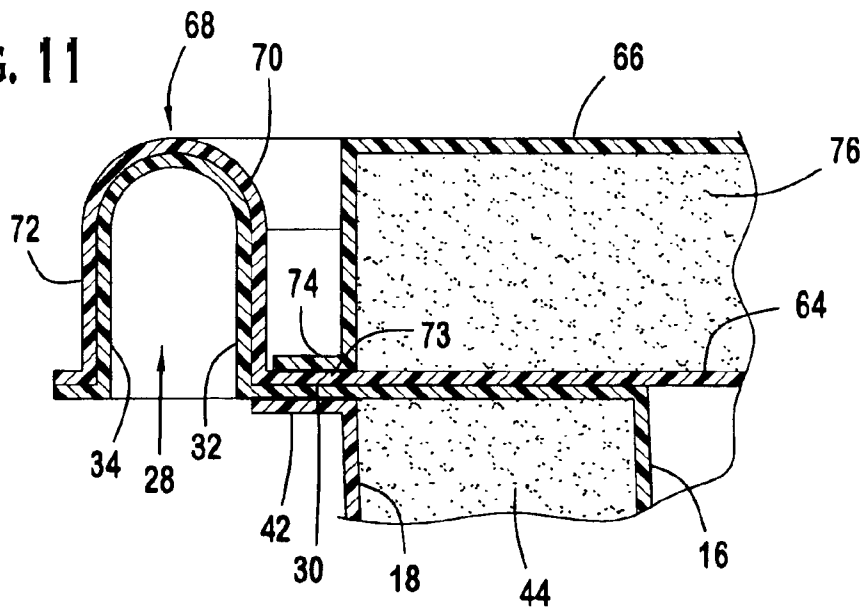


FIG. 11



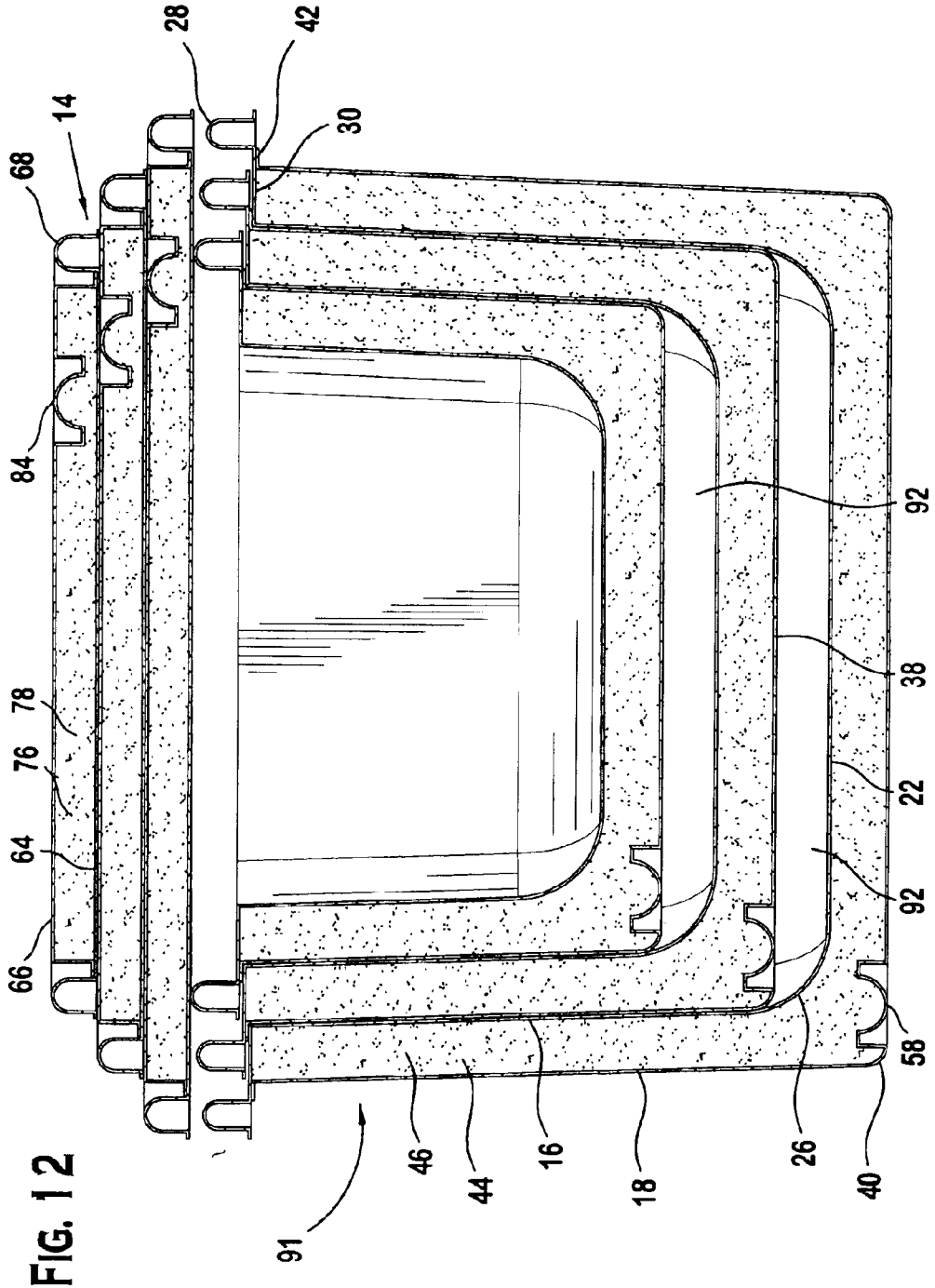
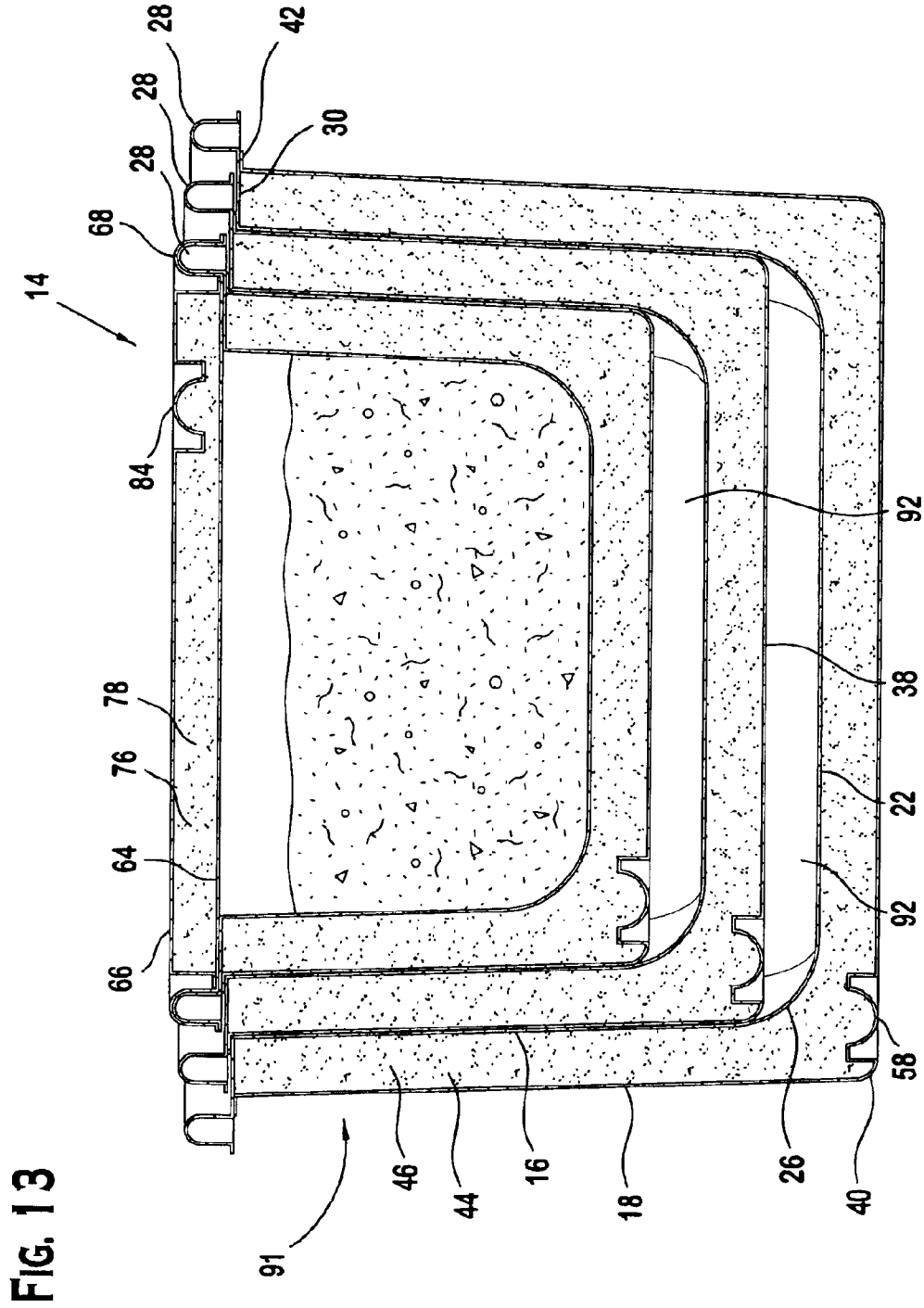


FIG. 12



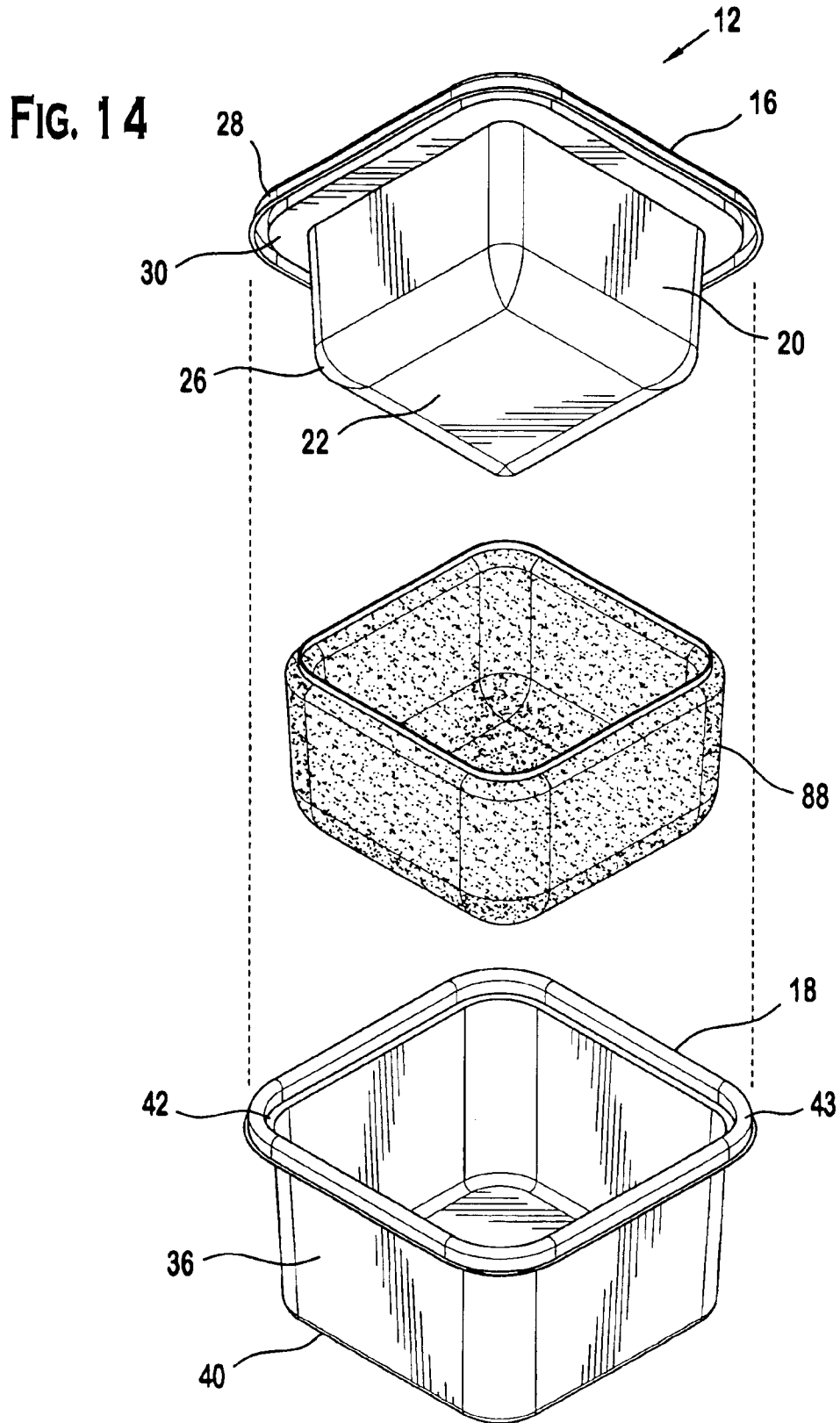
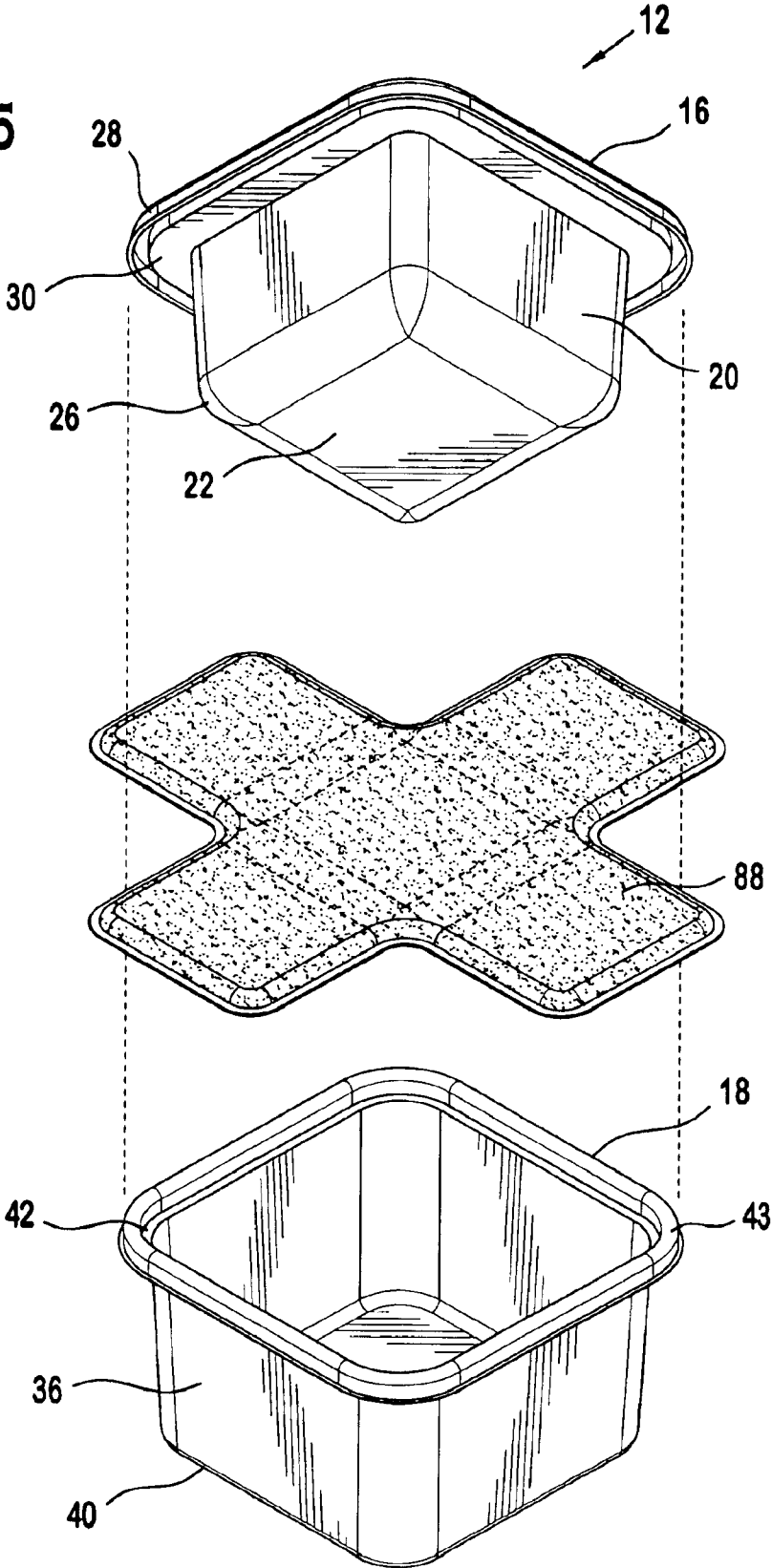


FIG. 15



THERMAL ENERGY STORAGE SYSTEM**CROSS REFERENCE TO RELATED APPLICATION(S)**

This application claims priority to and is a continuation of U.S. patent application Ser. No. 10/361,655, filed Feb. 10, 2003 Pat. No. 6,761,041, entitled "Thermal Energy Storage System" which is a continuation-in-part of and claims priority from U.S. patent application Ser. No. 10/236,266, filed Sep. 6, 2002 Pat. No. 6,601,403, entitled "Thermal Storage Lid", both of the above identified applications are hereby incorporated by reference herein in their entirety as if fully set forth.

BACKGROUND

The present invention relates to thermal energy storage lids and containers and, more particularly, to lids and containers having a thermal energy storage material located therein.

Thermal energy storage packs are generally known for use in maintaining the contents of a storage container in a heated or cooled state. For example, frozen thermal packs are pre-filled with a thermal energy storage material which can be frozen and then placed alongside food in an insulated container, such as a cooler, in order to maintain the cooler contents, such as food and drinks, in a cold state for a predetermined time period. Such thermal energy materials generally have 10–15 times the thermal capacity of frozen water and therefore maintain the cooler contents in a cold state for an extended period of time in comparison to ice alone. Such cold packs can be reused numerous times by refreezing them between use, and also avoid the problem of melting liquid contacting the items in the cooler. However, it is not always convenient to fit a cold pack in a cooler or other containers in addition to the various food and drinks placed therein.

Energy storage materials which maintain heat are also known which can be preheated in a microwave or through other means, and then placed in a cooler in order to provide heat within the cooler to keep food storage containers in the box warm for a predetermined time period.

These heat or cold packs generally come in predetermined sizes which are not always suitable for use with a particular cooler or box, depending upon the articles or food storage containers also being placed therein.

SUMMARY

One embodiment of the present invention is directed to a thermal energy storage container. The thermal energy storage container includes a first panel having a container attachment element. The first panel defines a recess for receiving food. A second panel is offset from the first panel. The second panel has a peripheral edge connected to the first panel to form a container compartment generally coextensive with the second panel. The container compartment includes a thermal energy storage material.

Another embodiment of the present invention is separately directed to a thermal energy storage container. The thermal energy storage container includes a first panel having a container attachment element. The first panel defines a recess for receiving food. A second panel is offset from the first panel. The second panel has a peripheral edge connected to the first panel to form a container compartment generally coextensive with the second panel. The second panel defines a hole. A tube surrounds the hole and projects away from the container compartment. The tube forms a conduit to allow the insertion of a thermal energy storage material into the container compartment.

Another embodiment of the present invention is separately directed to a method of making a thermal energy storage container. The method includes: providing first and second panels, the first panel including a container attachment element, the second panel being offset from the first panel, the second panel having a peripheral edge connected to the first panel to form a container compartment generally coextensive with the second panel, the second panel further defining a hole and including a tube surrounding the hole and projecting away from the container compartment, the tube forming a conduit to allow the insertion of a thermal energy storage material into the container compartment; inserting a thermal energy storage material into the container compartment through the tube; and closing the tube to seal the container compartment.

Another embodiment of the present invention is separately directed a thermal energy storage lid for a container. The thermal energy storage lid includes a first panel having a lid attachment element. A second panel is offset from the first panel. The second panel is removably connected to the first panel to form a lid compartment generally coextensive with the second panel. A thermal energy storage material for storage is located in a sealed pouch in the lid compartment.

Another embodiment of the present invention is separately directed to a thermal energy storage lid for a container. The thermal energy storage lid includes a first panel having a lid attachment element. A second panel is offset from the first panel. The second panel has a peripheral edge connected to the first panel to form a lid compartment generally coextensive with the second panel. The second panel defines a hole. A tube surrounds the hole and projects away from the lid compartment. The tube forms a conduit to allow the insertion of a thermal energy storage material into the lid compartment.

Another embodiment of the present invention is separately directed to a method of making a thermal energy storage lid for a container. The method includes: providing first and second panels, the first panel having a lid attachment element, the second panel offset from the first panel and having a peripheral edge connected to the first panel to form a lid compartment generally coextensive with the second panel, the second panel defining a hole and including a tube surrounding the hole and projecting away from the lid compartment, the tube forming a conduit to allow the insertion of a thermal energy storage material into the lid compartment; inserting a thermal energy storage material into the lid compartment through the tube; and closing the tube to seal the lid compartment.

Another embodiment of the present invention is separately directed to a thermal energy storage system. The thermal energy storage system includes a thermal energy storage container. The thermal energy storage container includes a first panel having a container attachment element. The first panel defines a recess for receiving food. A second panel is offset from the first panel. The second panel has a peripheral edge connected to the first panel to form a container compartment generally coextensive with the second panel. The container compartment includes a thermal energy storage material. The thermal energy storage system also includes a thermal energy storage lid. The thermal energy storage lid includes a first panel having a lid attachment element. A second panel is offset from the first panel. The second panel has a peripheral edge connected to the first panel to form a lid compartment generally coextensive with the second panel. The lid compartment includes a thermal energy storage material. The thermal energy storage lid is removably attached to the thermal energy storage container.

Another embodiment of the present invention is separately directed to a method of making a thermal energy storage system. The method includes: providing a thermal

energy storage container having first and second panels, the second panel being offset from the first panel, the second panel having a peripheral edge connected to the first panel to form a container compartment generally coextensive with the second panel, the second panel further defining a hole and including a tube surrounding the hole and projecting away from the container compartment, the tube forming a conduit to allow the insertion of a thermal energy storage material into the container compartment; inserting a thermal energy storage material into the container compartment through the tube; closing the tube to seal the container compartment; providing a thermal energy storage lid having first and second panels, the first panel including a lid attachment element, the second panel offset from the first panel and having a peripheral edge connected to the first panel to form a lid compartment generally coextensive with the second panel, the second panel defining a hole and including a tube surrounding the hole and projecting away from the lid compartment, the tube forming a conduit to allow the insertion of a thermal energy storage material into the lid compartment; inserting a thermal energy storage material into the lid compartment through the tube; closing the tube to seal the lid compartment; and attaching the thermal energy storage lid to the thermal energy storage container.

Another embodiment of the present invention is separately directed to a set of stacked thermal energy storage containers. The set of stacked thermal energy storage containers includes a plurality of thermal energy storage containers. Each thermal energy storage container is of a proportionately different size. Each thermal energy storage container includes a first panel having a container attachment element. The first panel defines a recess for receiving food. A second panel is offset from the first panel. The second panel has a peripheral edge connected to the first panel to form a container compartment generally coextensive with the second panel. The container compartment includes a thermal energy storage material. The plurality of thermal energy storage containers are concentrically stacked together.

Another embodiment of the present invention is separately directed to a method for making a set of stacked thermal energy storage containers. The method includes: providing a plurality of thermal energy storage containers, wherein each thermal energy storage container is of a proportionately different size; each thermal energy storage container including first and second panels, the first panel including a container attachment element, the second panel being offset from the first panel, the second panel having a peripheral edge connected to the first panel to form a container compartment generally coextensive with the second panel, the second panel further defining a hole and including a tube surrounding the hole and projecting away from the container compartment, the tube forming a conduit to allow the insertion of a thermal energy storage material into the container compartment; inserting a thermal energy storage material into the container compartment through the tube; closing the tube to seal the container compartment; and concentrically stacking the plurality of thermal energy storage containers together.

Another embodiment of the present invention is separately directed to a method for maintaining a consumable product at a desired temperature for a desired amount of time. The method including: providing a plurality of thermal energy storage containers, wherein each thermal energy storage container is of a proportionately different size; each thermal energy storage container including first and second panels, the second panel being offset from the first panel, the first panel including a container attachment element, the second panel having a peripheral edge connected to the first

panel to form a container compartment generally coextensive with the second panel, the container compartment including a thermal energy storage material; concentrically stacking the plurality of thermal energy storage containers, the number of thermal energy storage containers in the stack depending on the desired time period for which the desired temperature is to be maintained within the innermost thermal energy storage container; providing a thermal energy storage lid having first and second panels, the first panel including a lid attachment element, the second panel offset from the first panel and having a peripheral edge connected to the first panel to form a lid compartment generally coextensive with the second panel, the lid compartment including a thermal energy storage material; and attaching a thermal energy storage lid to the innermost thermal energy storage container in the set of stacked thermal energy storage containers.

BRIEF DESCRIPTION OF THE DRAWINGS

The foregoing summary, as well as the following detailed description of the preferred embodiments of the invention, will be better understood when read in conjunction with the appended drawings. For the purpose of illustrating the invention, there are shown in the drawings embodiments which are presently preferred. It is understood, however, that the invention is not limited to the precise arrangements and instrumentalities shown. In the drawings:

FIG. 1 is a perspective view of a thermal energy storage container and thermal energy storage lid, according to a preferred embodiment of the present invention, both the container and lid are preferably filled with a thermal energy storage material;

FIG. 2 is a perspective view of the thermal energy storage container of FIG. 1;

FIG. 3 is an exploded perspective view of the thermal energy storage container of FIG. 1 without any thermal energy storage material therein;

FIG. 4 is a cross-sectional view of the thermal energy storage container of FIG. 1 without any thermal energy storage material therein;

FIG. 5 is a cross-sectional view of the thermal energy storage container of FIG. 2 as taken along the line 5—5 of FIG. 2;

FIG. 6 is a perspective view of the thermal energy storage lid of FIG. 1;

FIG. 7 is an exploded perspective view of the thermal energy storage lid of FIG. 1 without any thermal energy storage material located therein;

FIG. 8 is a cross-sectional view of the thermal energy storage lid of FIG. 1 without any thermal energy storage material located therein;

FIG. 9 is a cross-sectional view of the thermal energy storage lid of FIG. 6 as taken along the line 9—9 of FIG. 6;

FIG. 10 is a cross-sectional view of the thermal energy storage container and thermal energy storage lid of FIG. 1 as taken along the line 10—10 of FIG. 1;

FIG. 11 is an enlarged partial cross-sectional view of an attachment element of the thermal energy storage container and thermal energy storage lid of FIG. 10 as enclosed within the dotted segment of FIG. 10;

FIG. 12 is a cross-sectional view of a set of stacked thermal energy storage containers and stacked thermal energy storage lids, both the set of stacked thermal energy storage containers and lids are preferably filled with a thermal energy storage material;

FIG. 13 is a cross-sectional view of a set of stacked thermal energy storage containers and a thermal energy storage lid, both the set of stacked thermal energy storage

5

containers and lid are preferably filled with a thermal energy storage material;

FIG. 14 is an exploded perspective view of the thermal energy storage container of FIG. 1, illustrating the thermal energy storage material located in a sealed, formed pouch;

FIG. 15 is an exploded perspective view of the thermal energy storage container of FIG. 1, illustrating the thermal energy storage material located in a sealed pouch having folding seams;

FIG. 16 is a cross-sectional view of the thermal energy storage container of FIG. 14;

FIG. 17 is a cross-sectional view of the thermal energy storage container of FIG. 1, illustrating the thermal energy storage material located in at least two sealed pouches.

DETAILED DESCRIPTION OF THE PREFERRED EMBODIMENTS

Certain terminology is used in the following description for convenience only and is not limiting. The words "right," "left," "top," and "bottom" designate directions in the drawings to which reference is made. The words "inwardly" and "outwardly" refer to directions toward and away from, respectively, the geometric center of the thermal energy storage container and lid and designated parts thereof. The words "a" and "one" are defined as including one or more of the referenced item unless specifically stated otherwise. This terminology includes the words above specifically mentioned, derivatives thereof, and words of similar import.

Referring to FIGS. 1–17, wherein like numerals indicate like elements throughout, the preferred embodiments of a thermal energy storage container 12 and thermal energy storage lid 14 according to the present invention are shown. Briefly stated, the thermal energy storage container 12 and lid 14 are adapted to maintain a consumable product within an acceptable temperature range for a desired period of time. To optimize the heating or cooling effect of the container 12 and lid 14, the container 12 and lid 14 preferably include first and second panels 16, 64, 18, 66 forming a container compartment 44 and lid compartment 76 wherein a thermal energy storage material 46, 78 is located.

As shown in FIG. 1, the present invention relates to a thermal energy storage system 10 comprised of a thermal energy storage container 12 and a thermal energy storage lid 14. The container 12 and lid 14 can be used alone or in combination. The container 12 and lid 14 are preferably made of a polymeric material, such as polyethylene terephthalate (PET), polyvinyl chloride (PVC), polyphthalate carbonate (PPC) or any other suitable material. The container 12 and complementary lid 14 are preferably in the shape of a cube, cylinder, or rectangular prism or any other suitable shape.

Referring now to FIGS. 2–5, the thermal energy storage container 12 is shown. The container 12 includes first and second panels 16, 18. The first, inner panel 16 includes a side wall 20 and a base wall 22, generally defining a recess 24 for storing food or any other substance. A smoothly curved base edge 26 preferably transitions the side wall 20 to the base wall 22. The first panel 16 of the container 12 preferably includes a container attachment element 28 extending from a peripheral collar 30 thereof. The container attachment element 28, which is shown in more detail in FIGS. 4 and 5, includes inner and outer legs 32, 34 preferably forming a U-shape.

The second, outer panel 18 of the thermal energy storage container 12 is generally offset from the first panel 16 and includes a side wall 36 and a base wall 38. A rigidly curved base edge 40 preferably transitions the side wall 36 to the base wall 38. The second panel 18 preferably includes a peripheral edge 42 connected to the first panel 16 to form a

6

container compartment 44 that is generally coextensive with the second panel 18. The peripheral edge 42 of the second panel 18 is preferably heat sealed or sonic welded to the peripheral collar 30 of the first panel 16. However, any other known suitable connecting methods, such as an adhesive or a solvent weld may also be utilized.

Additionally, as shown in FIG. 14, the peripheral edge 42 of the second panel 18 may be removably connected to the container attachment element 28 of the first panel 16. For example, as shown in FIG. 14, the peripheral edge 42 can include a container compartment attachment element 43 which is preferably U-shaped and forms an interference friction fit with the container attachment element 28.

As shown in FIG. 5, a thermal energy storage material 46 is preferably located in the container compartment 44. In the embodiment shown in FIG. 5 the thermal energy storage material 46 is located directly between the first panel 16 and the second panel 18. To prevent leakage, the peripheral edge 42 of the second panel 18 is preferably sealed to the peripheral collar 30 of the first panel.

As shown in FIG. 4, the thermal energy storage material 46 can also be inserted into the container compartment 44 through a tube 54 surrounding a hole 56 in the second panel 18 and projecting away from the container compartment 44. After insertion of the thermal energy storage material 46 into the container compartment 44, the tube 54 is preferably closed to seal the container compartment (see FIG. 5). The tube 54 can be closed by heat sealing the tube 54 or sonic welding the tube 54 or any other means of closing the tube 54. As shown in FIG. 5, after sealing the container compartment 44, the tube 54 is preferably melted and pushed into a recessed portion 60 of the second panel 18. By pushing the tube 54 into the recessed portion 60, the tube 54 spreads out forming a protrusion 58 (stated as a sealed tube in the claims) in the recessed portion 60 of the second panel 18 that is preferably level with the second panel 18.

In the container embodiment shown in FIGS. 14–17, the thermal energy storage material 46 is preferably located in one or more sealed pouches 62 that are placed in the container compartment 44. In this embodiment, the peripheral edge 42 of the second panel 18 may be removably connected to the container attachment element 28 of the first panel 16. For example, the peripheral edge 42 can include a container compartment attachment element 43 which is preferably U-shaped and forms an interference friction fit with the container attachment element 28.

As shown in FIGS. 14–15, the thermal energy storage material 46 can be located in a single sealed pouch 62 that is formed in the shape of the container compartment 44. As shown in FIG. 16, the thermal energy storage material 46 can also be located in a single sealed pouch 62 that is in the shape of a cross having four seams, wherein the pouch 62 can fold up to fit within the container compartment 44. Additionally, as shown in FIG. 17, the thermal energy storage material 46 can be located in one or more sealed pouches 62 in the container compartment 44.

Referring now to FIGS. 6–9, the thermal energy storage lid 14 preferably includes a first panel 64 and a second panel 66. The first panel 64 preferably includes a lid attachment element 68 located around a periphery thereof. The attachment element 68, which is shown in more detail in FIGS. 10 and 11, preferably has an inner leg 70 and an outer leg 72 which form a U-shape that is complementary to the container attachment element 28. The second panel 66 is offset from the first panel 64 and includes a peripheral edge 74 which is connected to an extended portion 73 of the first panel 64 to form a lid compartment 76 that is generally coextensive with the second panel 66. Preferably, the second panel 66 is heat sealed or sonic welded to the extended portion 73 of the first panel 64. However, any other known

suitable connecting methods, such as adhesive or a solvent weld may also be utilized.

A thermal energy storage material **78** is preferably located in the lid compartment **76**. As shown in FIG. **8**, the thermal energy storage material **78** is inserted into the lid compartment **76** through a tube **80** that surrounds a hole **82** in the second panel **66** and projects away from the lid compartment **76**. After the thermal energy storage material is inserted into the compartment **76** the tube **80** is closed to seal the lid compartment **76**. Preferably, the tube **80** is closed by heat sealing the tube **80** or sonic welding the tube **80** or any other known method of closing the tube **80**. After sealing the lid compartment **76**, the tube **80** is preferably melted and pushed into a recessed portion **86** of the second panel **66**. By pushing the tube **80** into the recessed portion **86**, the tube **80** spreads out forming a protrusion **84** (stated as a sealed tube in the claims) in the recessed portion **86** of the second panel **66** that is level with the second panel **66**. In addition, a protrusion **87** can be formed on the first panel **64**, generally opposite from the protrusion **84** in the recessed portion **86** of the second panel **66**, due to the tube **80** being pushed into the lid compartment **76**.

In an alternative embodiment, the thermal energy storage material **78** can be located in a sealed pouch **88** that is removably placed in the lid compartment **76**. In this embodiment, the peripheral edge **74** is removably connected to the lid attachment element **68** of the first panel **64** to permit removal of the sealed pouch **88**. For example, the peripheral edge **42** can include a lid compartment attachment element (not shown) which is preferably U-shaped and forms an interference friction fit with the lid attachment element **68**.

As shown in FIGS. **10** and **11**, the lid attachment element **68** preferably overlays the container attachment element **28** when the lid **14** is attached to the container **12**. The lid attachment element **68** is preferably flexible to form an interference friction fit with the more rigid container attachment element **28**. The interference friction fit forms a tight attachment between the lid **14** and the container **12**. A handle **90** preferably extends from the outer leg **72** of the lid attachment element **68** to simplify the removal of the lid **14** from the container **12**.

In a preferred embodiment, as shown in FIG. **10**, the thermal energy storage material **46**, **78** located in the container **12** and the lid **14** is in the form of a gel which can undergo repeated cycles of freezing and thawing in order to provide a cold storage container **12** or lid **14**. Heat storing materials may also be utilized such that the container **12** or the lid **14** can be placed in a microwave oven to heat the thermal energy storage material **46**, **78** in order to keep the container contents warm.

To maintain a desired temperature within the thermal energy storage container **12**, the distance between the first and second panels **16**, **18** can vary within the container compartment **44**. For example, in order to account for the heat transfer due to handling of the container at the side wall **36** of the second panel **18**, the orthogonal distance between the first and second panels **16**, **18** at the side wall of the first and second panels **20**, **36** can be increased to permit a greater volume of the thermal energy storage material **46** to fill that particular portion of the container compartment **44**.

Referring now to FIGS. **12** and **13**, a set of stacked thermal energy storage containers **91** is shown. The set of stacked thermal energy containers **91** include a plurality of thermal energy storage containers **12**. Each thermal energy storage container **12** is preferably of a proportionately different size. The plurality of thermal energy storage containers **12** can be concentrically stacked together.

Preferably, to assist stacking of the containers **12**, the smoothly curved peripheral base edge **26** of the first panel **16**

of the container **12** is adapted to support the rigidly curved peripheral base edge **40** of second panel **18** of the inserted, adjacent thermal energy storage container **12**. It is preferred that an insulating air barrier **92** is formed between the base wall **22** of the first panel **16** of the supporting thermal energy storage container **12** and the base wall **38** of the second panel **18** of the inserted, adjacent thermal energy storage container **12**.

Additionally, as shown in FIGS. **12** and **13**, to assist stacking of the containers, the peripheral collar **30** of the first panel **16** of each of the thermal energy storage container **12** is adapted to support the peripheral edge **42** of the second panel **18** of the inserted, adjacent thermal energy storage containers **12**.

As shown in FIG. **13**, a consumable product can be maintained at a desired temperature for a desired amount of time by concentrically stacking a plurality of thermal energy storage containers **12**. The appropriate number of thermal energy storage containers **12** in the stack **91** depends on the desired time period for which the desired temperature is to be maintained within the innermost thermal energy storage container **12** holding the consumable product. In addition, a thermal energy storage lid **14** can be attached to the innermost thermal energy storage container **12** in the set of stacked thermal energy storage containers **91** to optimize the heating or cooling effect.

Referring now to FIG. **1-5**, one embodiment of the present invention operates as follows. The container **12** is charged with thermal energy, such as by placing it in a freezer to cool the thermal energy storage material **46** or by placing it in a microwave and heating it to charge the thermal energy storage material **46** with heat energy. The user may insert food or any other substance into the recess **24** of the container **12**. The lid **14** is then snapped onto the container **12** by engaging the lid attachment element **68** with the complementary container attachment element **24**. For cooling applications, the container **12** is cooled via heat energy from the contents of the container **12** being absorbed by the thermal energy storage material **46** in order to maintain the contents of the container **12** in a cooled state. For heating applications, the thermal energy storage material **46** radiates heat which maintains the contents of the container **12** in a heated condition.

While various shapes, configurations, and features have been described above and shown in the drawings for the various embodiments of the present invention, those of ordinary skill in the art will appreciate from this disclosure that any combination of the above features can be used without departing from the scope of the present invention. Accordingly, it is recognized by those skilled in the art that changes may be made to the above described embodiments of the invention without departing from the broad inventive concept thereof. It is understood, therefore, that this invention is not limited to the particular embodiments disclosed, but is intended to cover all modifications which are within the spirit and scope of the invention as defined by the appended claims and/or shown in the attached drawings.

What is claimed is:

1. A thermal energy storage container, comprising:
 - a first panel defining a recess;
 - a second panel, offset from the first panel, having a peripheral edge connected to the first panel to form a container compartment generally coextensive with the second panel, the first and second panels being non-detachably fixed to each other, wherein the first and second panels are generally translucent; and
 - a thermal energy storage material sealed within the container compartment, wherein the thermal energy storage material has a color so that the thermal energy

9

storage container generally has the color of the thermal energy storage material.

2. The thermal energy storage container of claim 1, wherein the first panel further comprises a container attachment element.

3. The thermal energy storage container of claim 2, wherein the second panel includes a sealed tube located in a recessed portion.

4. The thermal energy storage container of claim 1, wherein the peripheral edge of the second panel is sealed to a peripheral collar of the first panel.

5. The thermal energy storage container of claim 1, wherein the orthogonal distance between the first and second panels varies within the container compartment.

6. A thermal energy storage container, comprising:

a first panel defining a recess;

a second panel, offset from the first panel, having a peripheral edge connected to the first panel to form a container compartment generally coextensive with the second panel, the second panel defining a hole, the first and second panels being nondetachably fixed to each other, wherein the first and second panels are translucent; and

a tube surrounding the hole and projecting away from the container compartment, the tube forming a conduit to allow the insertion of a thermal energy storage material into the container compartment.

7. The thermal energy storage container of claim 6, wherein the peripheral edge of the second panel is sealed to a peripheral collar of the first panel.

8. The thermal energy storage container of claim 6, wherein the tube is permanently closed after the tube is sealed.

9. The thermal energy storage container of claim 6, wherein the orthogonal distance between the first and second panels varies within the container compartment.

10. A method of making a thermal energy storage container, comprising:

providing first and second panels, the second panel being offset from the first panel, the second panel having a peripheral edge connected to the first panel to form a container compartment generally coextensive with the second panel, the first and second panels are translucent, the second panel further defining a hole and including a tube surrounding the hole to form a conduit allowing the insertion of a thermal energy storage material into the container compartment;

inserting a thermal energy storage material into the container compartment through the tube, the thermal energy storage material being colored; and

permanently closing the tube to seal the container compartment, wherein the thermal energy storage container generally has the color of the thermal energy storage material.

11. The method of claim 10, wherein the orthogonal distance between the first and second panels varies within the container compartment.

12. A thermal energy storage lid for a container, comprising:

a first panel;

a second panel connected to the first panel to form a lid compartment generally coextensive with the second panel, the second panel defining a hole, the first and second panels being nondetachably fixed to each other, wherein the first and second panels are generally translucent; and

a tube surrounding the hole to form a conduit allowing insertion of a thermal energy storage material into the

10

lid compartment, wherein the thermal energy storage material inserted into the lid compartment can be generally viewed through the first and second panels.

13. A method of making a thermal energy storage lid for a container, comprising:

providing first and second panels, the second panel being connected to the first panel to form a lid compartment, the second panel defining a hole and including a tube surrounding the hole to form a conduit allowing insertion of a thermal energy storage material into the lid compartment, the first and second panels being generally translucent;

inserting a thermal energy storage material into the lid compartment through the tube, the thermal energy storage material having a color; and

permanently closing the tube to seal the lid compartment to maintain the thermal energy storage material therein with the thermal energy storage material being generally viewable through the first and second panels.

14. The method of claim 13, wherein the step of closing the tube further comprises heat sealing the tube.

15. The method of claim 13, wherein the step of closing the tube further comprises sonic welding the tube.

16. The method of claim 13, wherein a peripheral edge of the second panel is sealed to an extended portion of the first panel.

17. A method of making a thermal energy storage system, comprising:

providing a thermal energy storage container having first and second panels forming a container compartment generally coextensive with the second panel, the second panel defining a hole and including a tube surrounding the hole to form a conduit allowing the insertion of a thermal energy storage material into the container compartment;

inserting a thermal energy storage material into the container compartment through the tube; and

permanently closing the tube to seal the container compartment.

18. A thermal energy storage container, comprising:

a first panel having a first panel sidewall, a first panel bottom portion, and a first panel transition area therebetween, the first panel transition area having a generally smooth curvilinear shape;

a second panel connected to the first panel to form a container compartment therewith, the second panel having a second panel sidewall, a second panel bottom portion, and a second panel transition area therebetween, the second panel transition area having a generally rectilinear shape; and

a thermal energy storage material located within the container compartment, wherein the generally rectilinear shape of the second panel transition area provides an enlarged volume for the container compartment and the generally smooth curvilinear shape of the first panel transition area facilitates the flow of the thermal energy storage material during filling of the container compartment.

19. A thermal energy storage container, comprising:

a first panel having a first panel sidewall, a first panel bottom portion, and a first panel transition area therebetween, the first panel transition area having a generally smooth curvilinear shape;

11

a second panel connected to the first panel to form a container compartment therewith, the second panel having a second panel sidewall, a second panel bottom portion, and a second panel transition area therebetween, the second panel transition area having a generally rectilinear shape, the second panel defining a hole; and
a tube surrounding the hole to form a conduit allowing insertion of a thermal energy storage material into the

12

container compartment, wherein the generally rectilinear shape of the second panel transition area provides an enlarged volume for the container compartment and the generally smooth curvilinear shape of the first panel transition area facilitates the flow of the thermal energy storage material during filling of the container compartment.

* * * * *