



US00D513737S

(12) **United States Design Patent**
Riley

(10) **Patent No.:** **US D513,737 S**

(45) **Date of Patent:** **** Jan. 24, 2006**

(54) **CONTROLLER**

(76) **Inventor:** **Harry Lee Riley**, 167 Netherlands Dr.,
Middletown, DE (US) 19709

(**) **Term:** **14 Years**

(21) **Appl. No.:** **29/197,317**

(22) **Filed:** **Jan. 13, 2004**

(51) **LOC (8) Cl.** **13-03**

(52) **U.S. Cl.** **D13/164**; D13/162

(58) **Field of Classification Search** D13/162,
D13/168, 164; 174/50, 52.1, 58; 340/825.22,
340/825.24; 361/622, 627, 679, 680, 681;
700/17

See application file for complete search history.

(56) **References Cited**

U.S. PATENT DOCUMENTS

D259,721	S	*	6/1981	Pusl	D13/171
D306,998	S	*	4/1990	Mintz et al.	D13/164
D393,629	S	*	4/1998	Tsui	D13/168
5,877,953	A	*	3/1999	Clendenen et al.	700/17
D435,522	S	*	12/2000	Ohlwine et al.	D13/162
2003/0018397	A1	*	1/2003	Chanu	700/17
2003/0135292	A1	*	7/2003	Husgafvel et al.	700/83
2005/0075741	A1	*	4/2005	Altmann et al.	700/83

* cited by examiner

Primary Examiner—Stella Reid

Assistant Examiner—Selina Sikder

(74) *Attorney, Agent, or Firm*—Garcia-Zamor IP Law; Ruy M. Garcia-Zamor

(57) **CLAIM**

The ornamental design for a controller, as shown and described.

DESCRIPTION

FIG. 1 is a perspective view of a controller according to of my new design;

FIG. 2 is a left side elevational view of the controller of FIG. 1;

FIG. 3 is a right side elevational view of the controller of FIG. 1;

FIG. 4 is a top plan view of the controller of FIG. 1;

FIG. 5 is a front elevational view of the controller of FIG. 1;

FIG. 6 is a bottom plan view of the controller of FIG. 1; and, FIG. 7 is a rear elevational view of the controller of FIG. 1.

The dashed lines in FIGS. 1–7 represent environment and are for illustrative purposes only and do not constitute part of the claimed design.

1 Claim, 3 Drawing Sheets

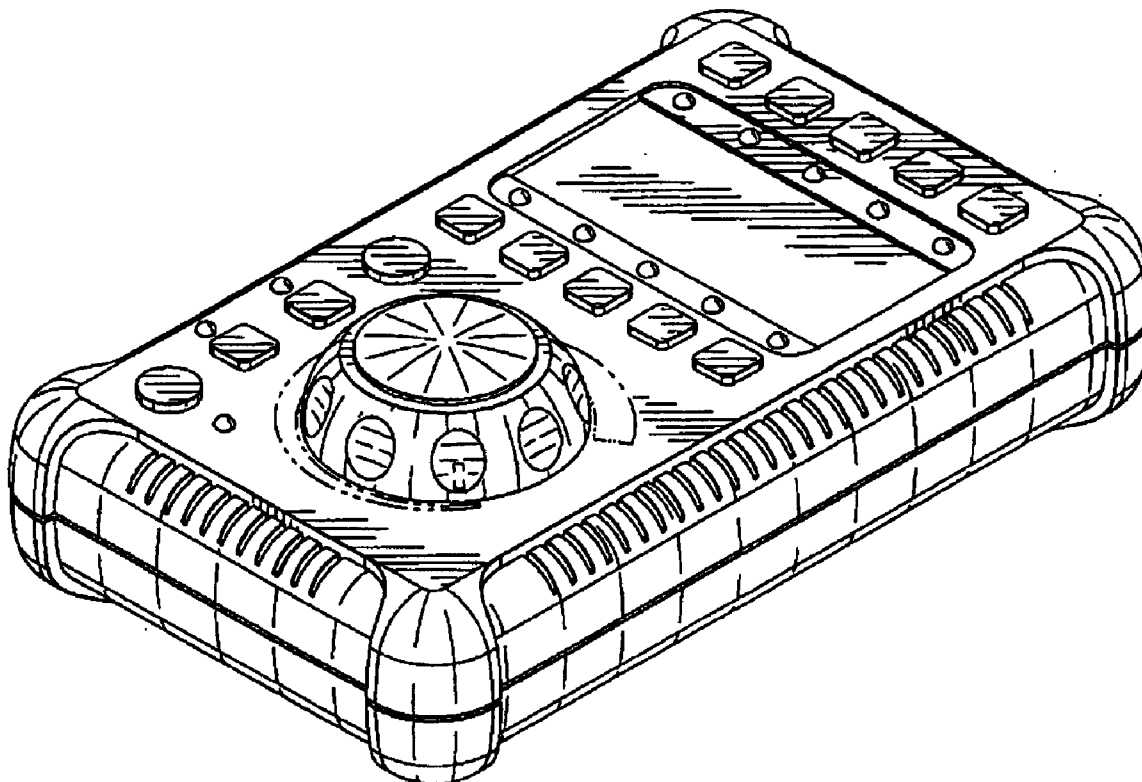


FIG. 1

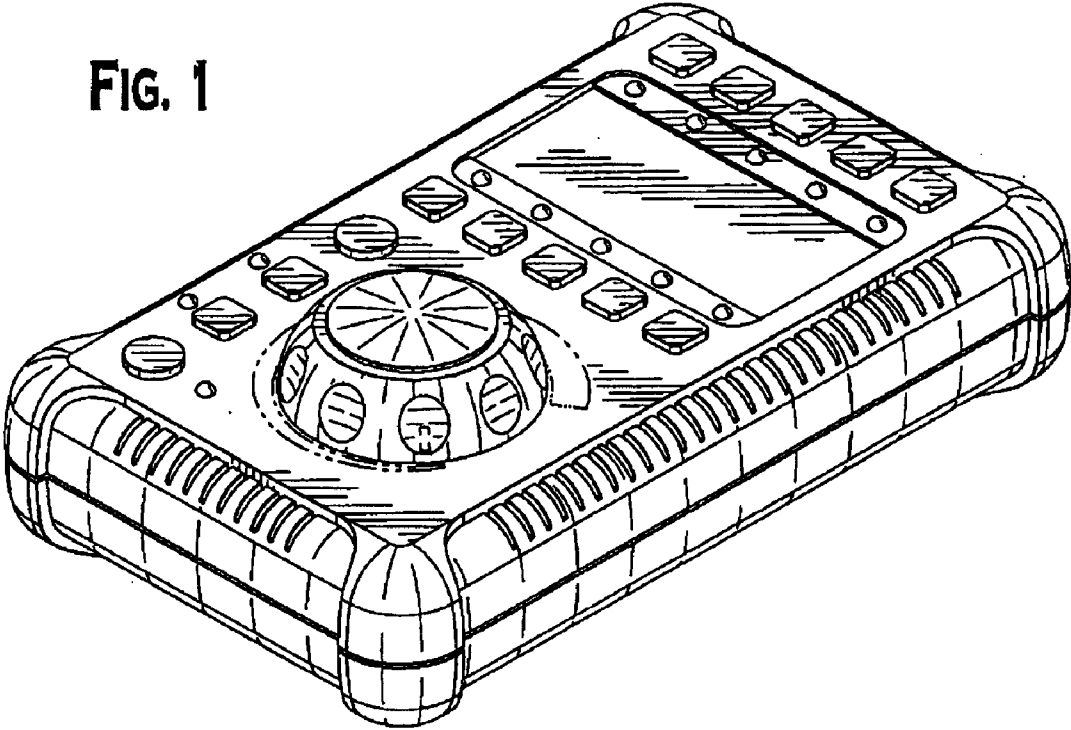


FIG. 2

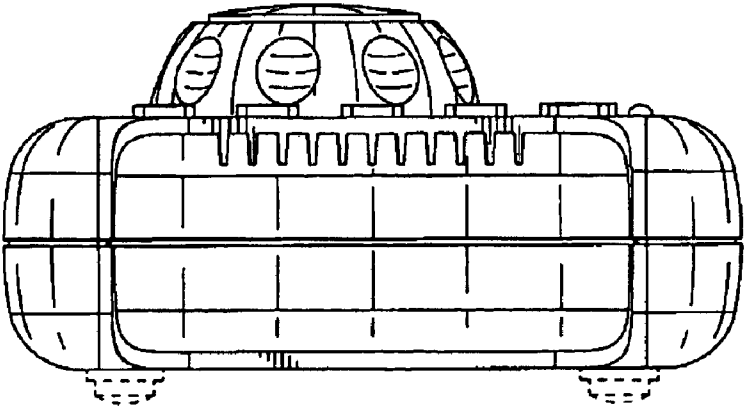
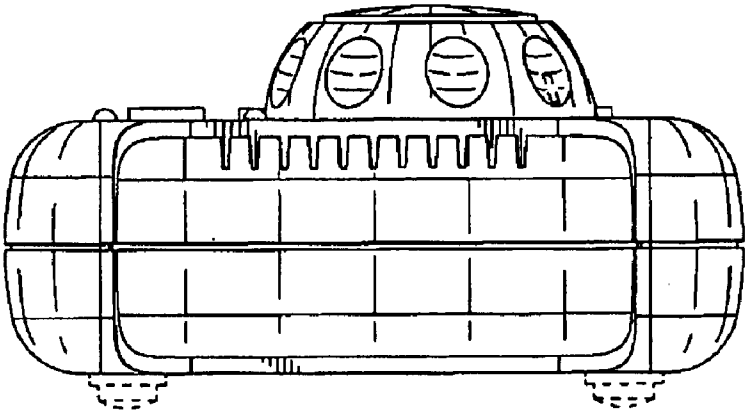


FIG. 3

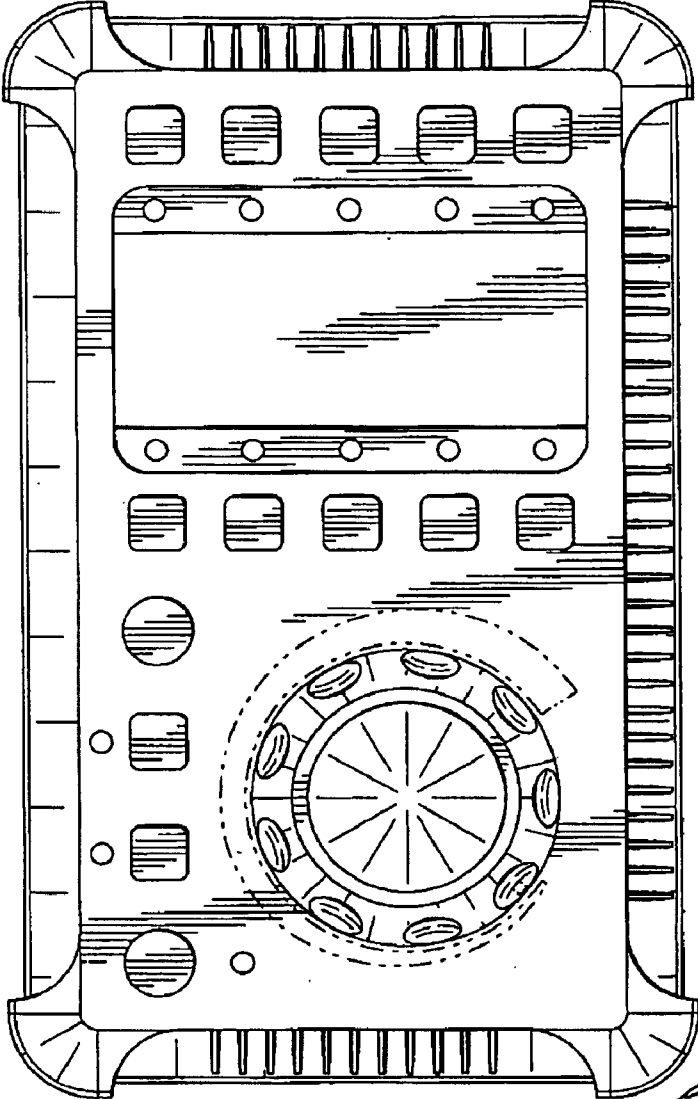


FIG. 4

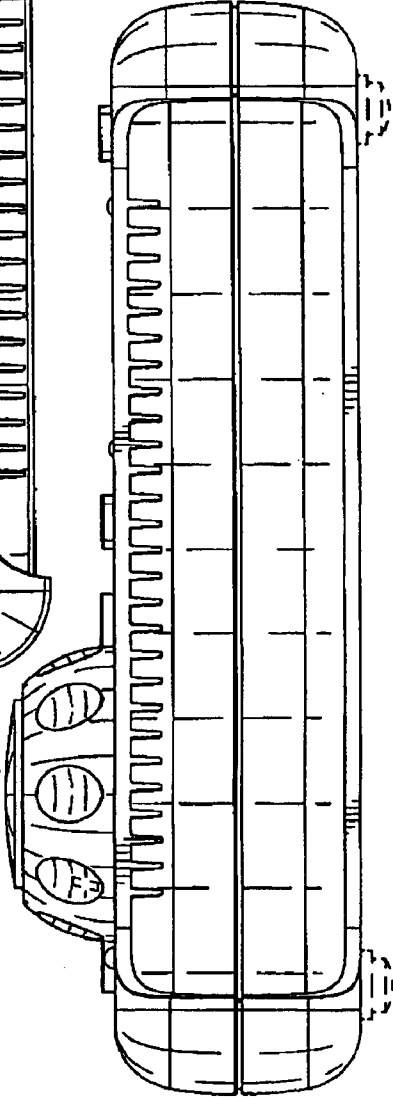


FIG. 5

FIG. 6

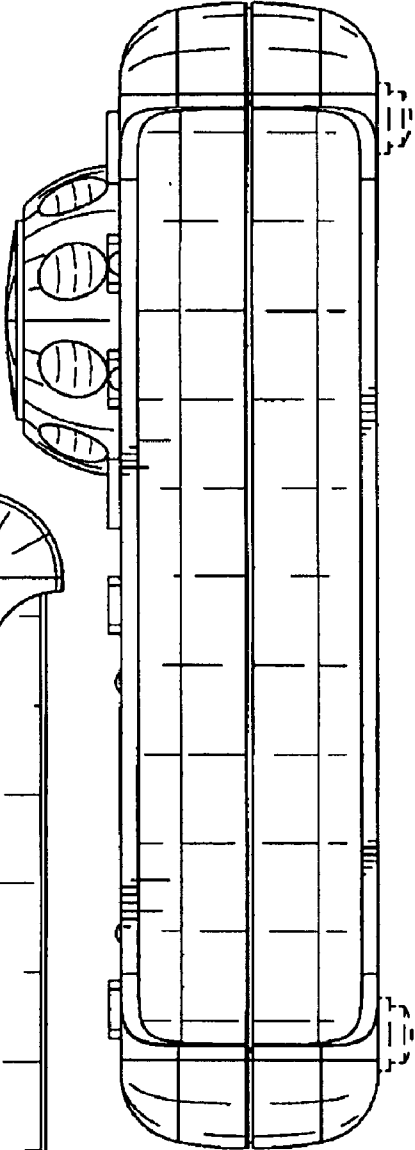
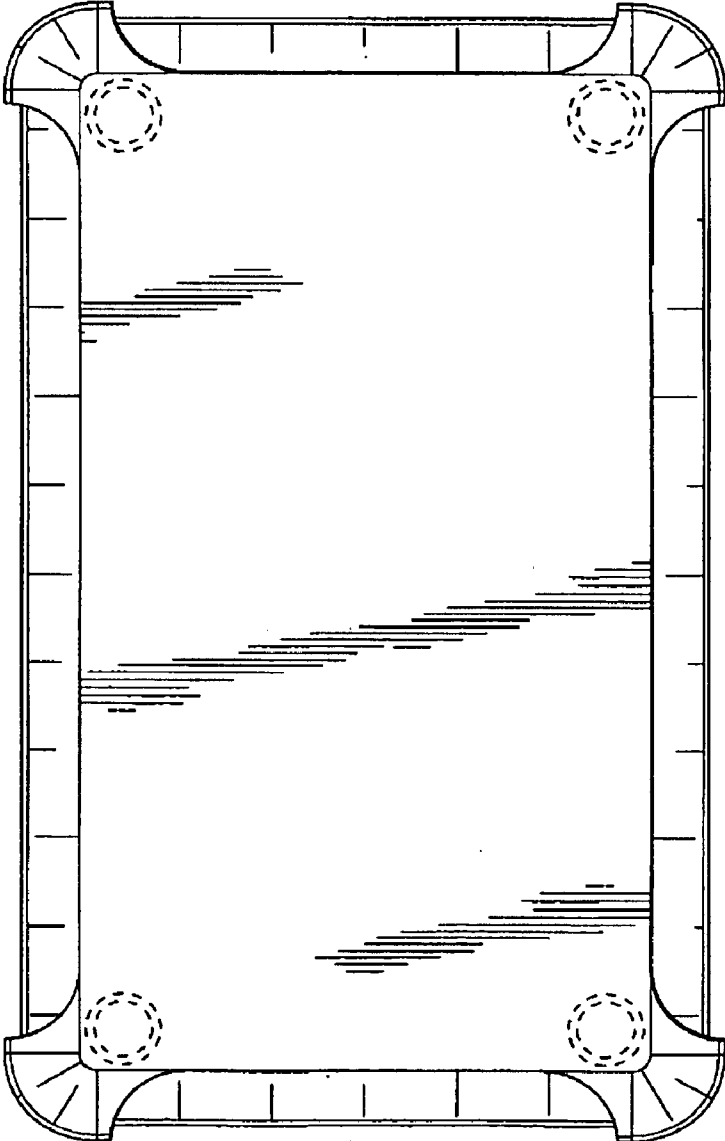


FIG. 7